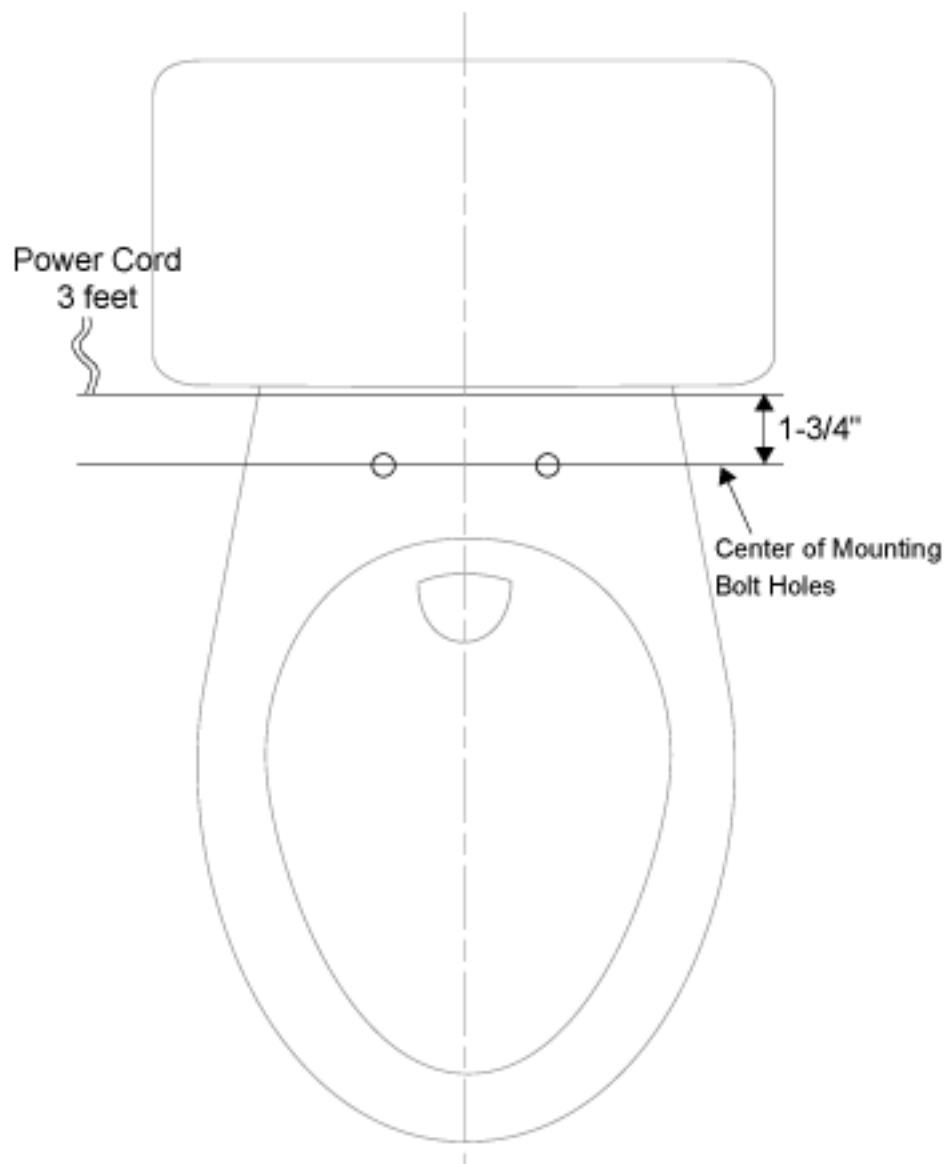




Washlet S300 Fit Chart

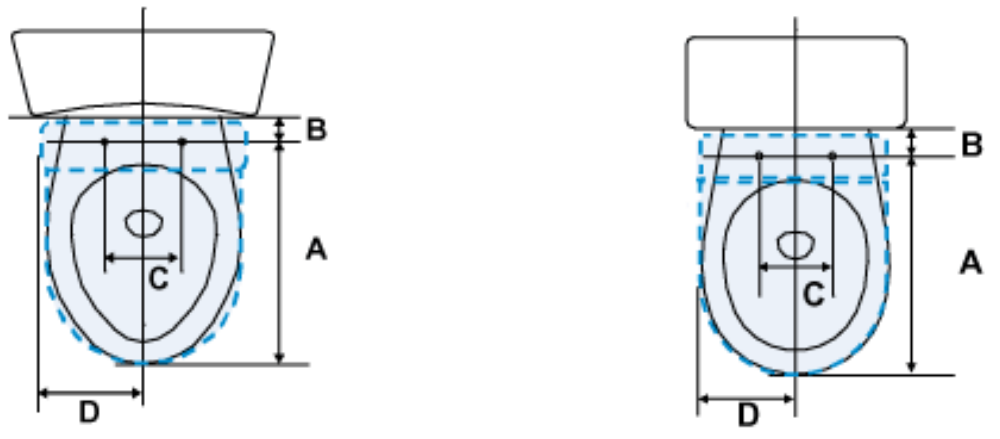
What if my Toilet isn't a TOTO Toilet? Will the Washlet still fit?

On a standard Toilet with no curves between the seat and tank, all you need is 1-3/4 inches of room past the mounting bolts.

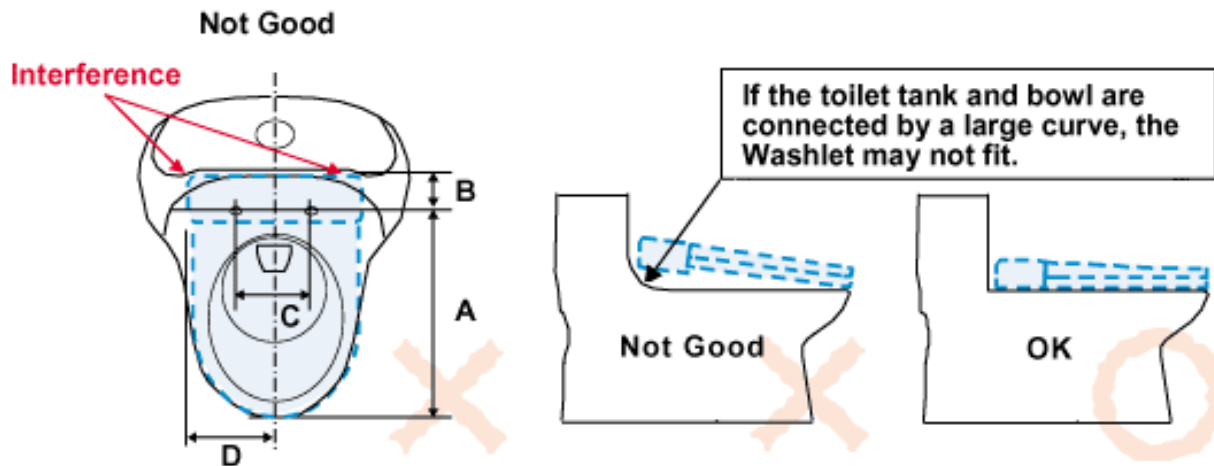




Washlet S300 Fit Chart



Note: Some styles of toilets may not allow the Washlet S300 to be installed due to certain contours near the tank and bowl area (see figures below). In the figure on the left side below, dimension D does not allow for enough open space to accommodate the minimum width of 9 inches.



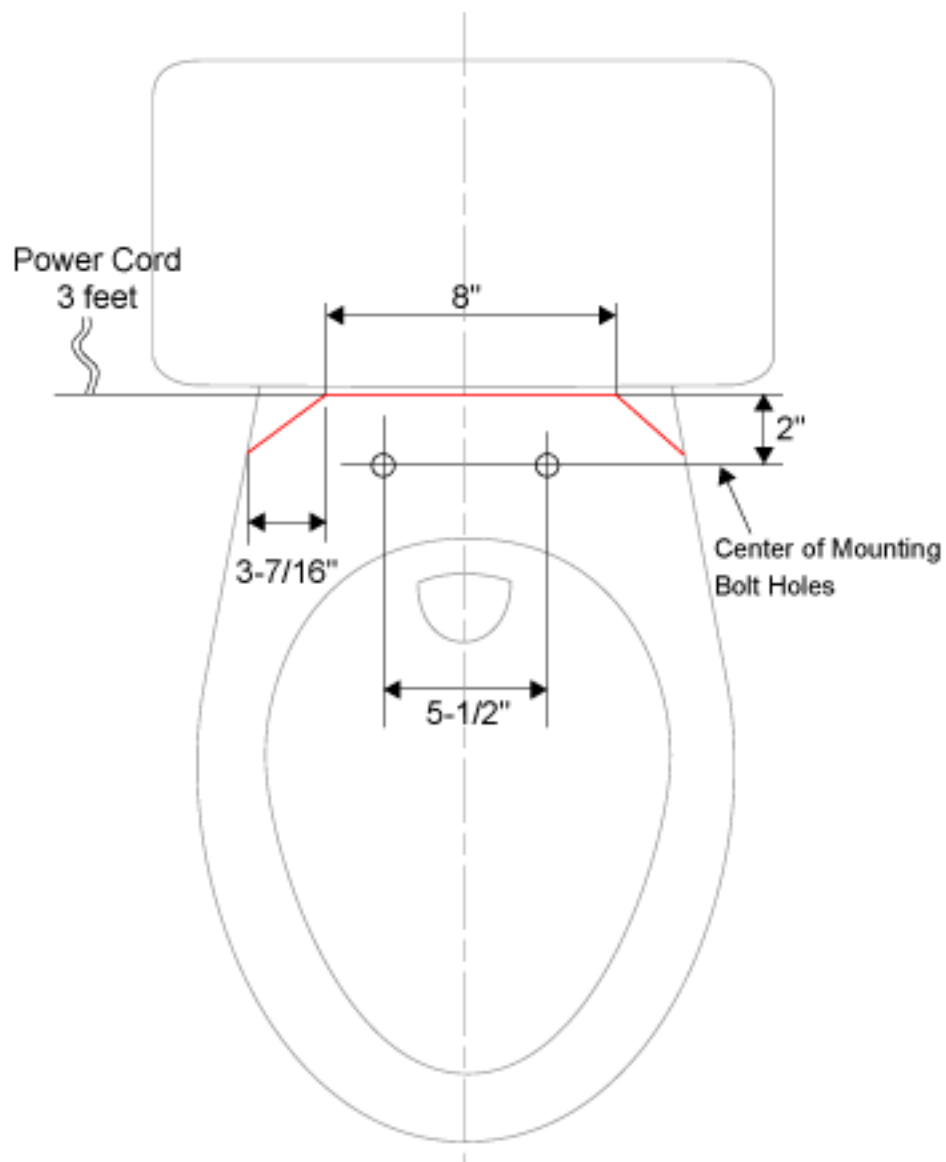
| Dimensions | Dimension Requirements |
|------------|---|
| A | Elongated - Approximately 18-1/2 inches (470 mm) Round - Approximately 16-1/2 inches (420 mm) |
| B | Minimum of 1-1/2 (38 mm) from front most face of tank to seat holes |
| C | Approximately 5-1/2 inches (140 mm) |
| D | Minimum 9 inches (210 mm) of open space from center of Washlet S300 (or toilet to edge of Washlet S300 and flat bowl surface. |



Washlet E200 Fit Chart

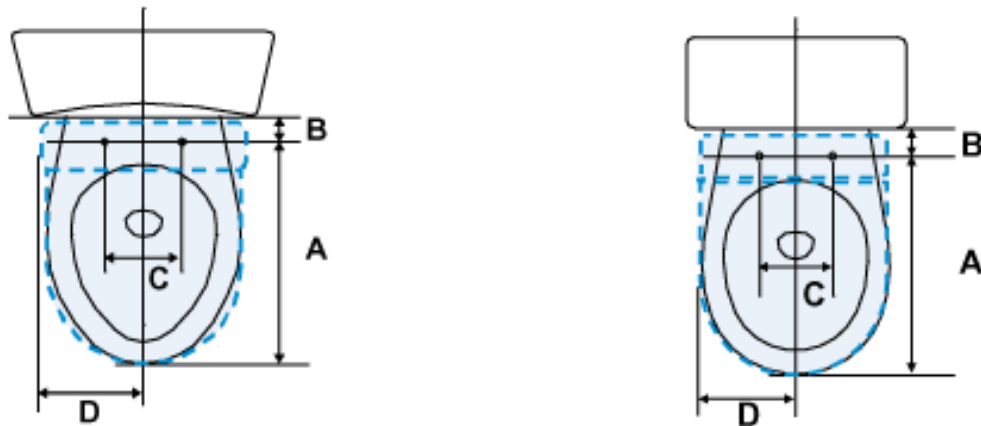
What if my Toilet isn't a TOTO Toilet? Will the Washlet still fit?

On a standard Toilet with no curves between the seat and tank, all you need is two inches of room past the mounting bolts.

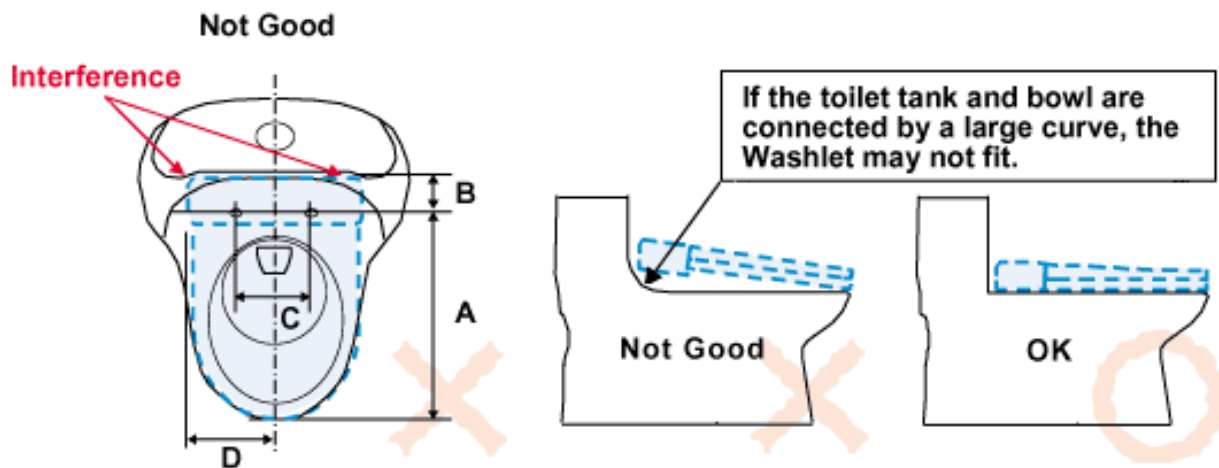




Washlet E200 Fit Chart



Note: Some styles of toilets may not allow the Washlet E200 to be installed due to certain contours near the tank and bowl area (see figures below). In the figure on the left side below, dimension D does not allow for enough open space to accommodate the minimum width of 9 inches.



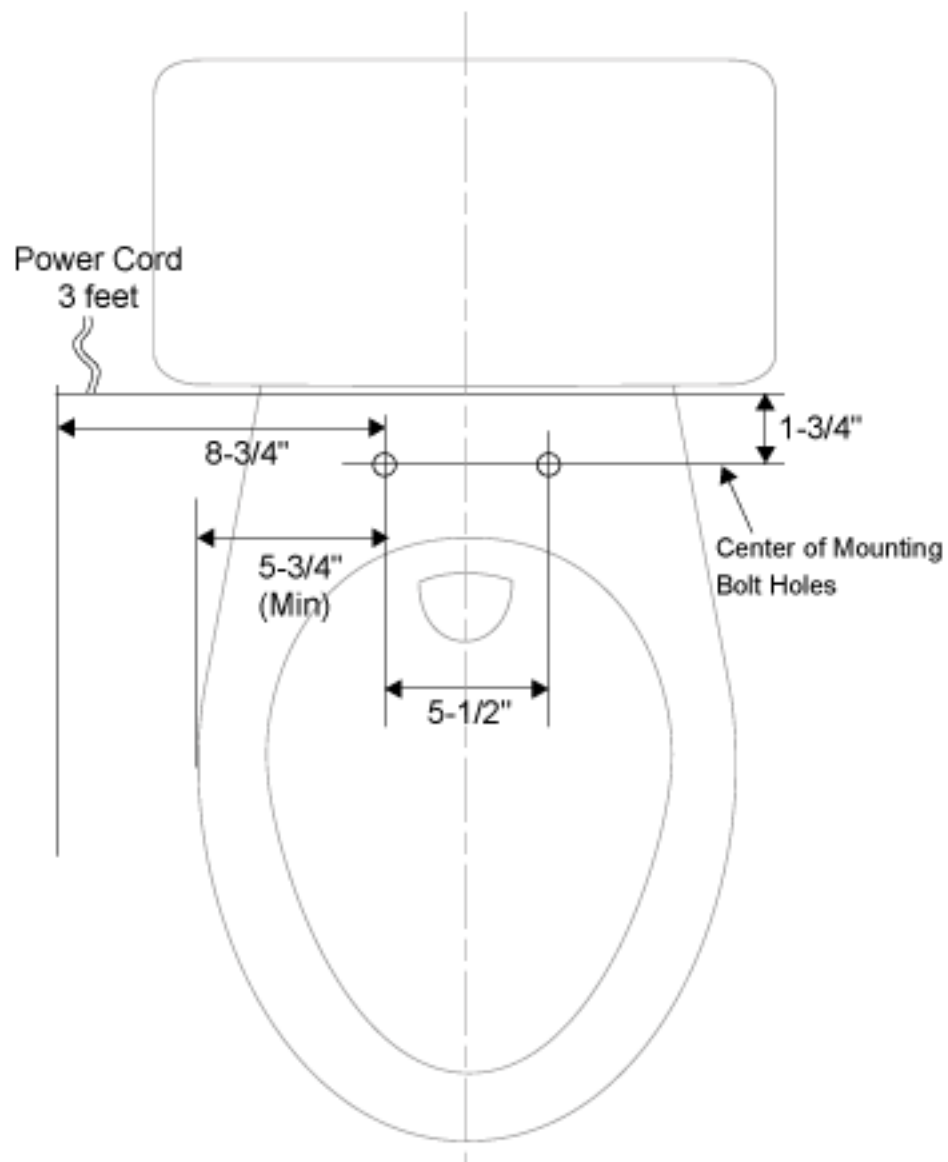
| Dimensions | Dimension Requirements |
|------------|---|
| A | Elongated - Approximately 18-3/4 inches (477 mm) Round - Approximately 17-1/2 inches (445 mm) |
| B | Minimum of 2 (51 mm) from front most face of tank to seat holes |
| C | Approximately 5-1/2 inches (140 mm) |
| D | Minimum 9 inches (210 mm) of open space from center of Washlet S300 (or toilet to edge of Washlet E200 and flat bowl surface. |



Washlet C100 Fit Chart

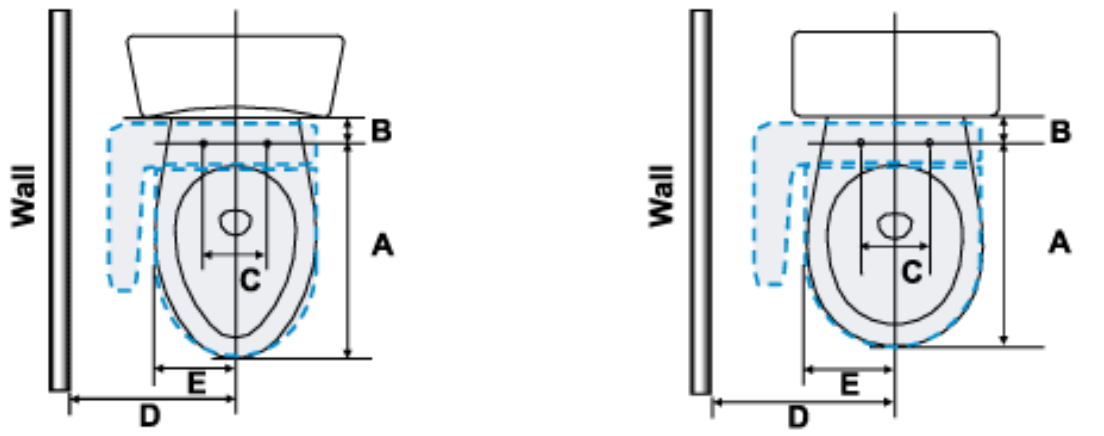
What if my Toilet isn't a TOTO Toilet? Will the Washlet still fit?

On a standard Toilet with no curves between the seat and tank, all you need is 1-3/4 inches of room past the mounting bolts.

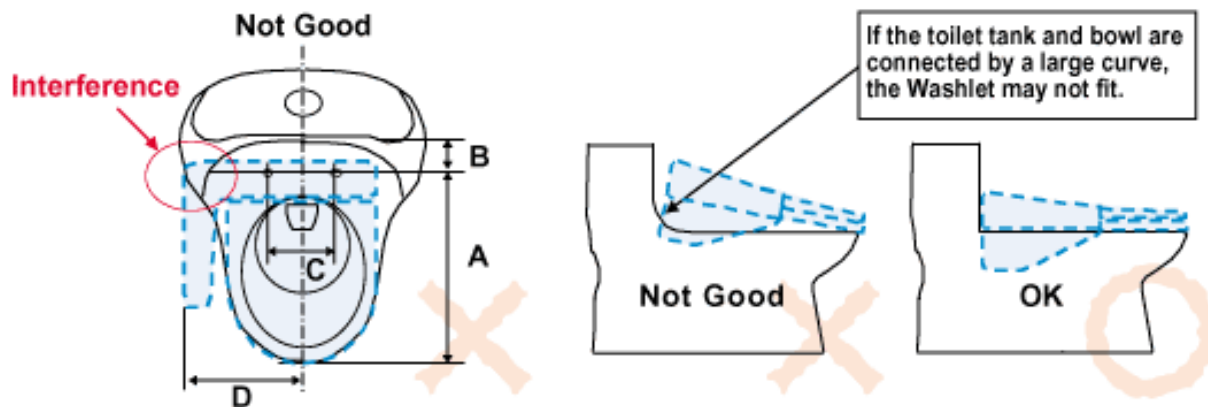




Washlet C100 Fit Chart



Note: Some styles of toilets may not allow the Washlet C100 to be installed due to certain contours near the tank and bowl area (see figures below). In the figure on the left side below, dimension D does not allow for enough open space to accommodate the minimum width of 12-1/2 inches.



| Dimensions | Dimension Requirements |
|------------|--|
| A | Elongated - Approximately 18-1/2 inches (470 mm) Round - Approximately 16-1/2 inches (420 mm) |
| B | Minimum of 1-1/2 (38 mm) from front most face of tank to seat holes |
| C | Approximately 5-1/2 inches (140 mm) |
| D | Minimum 12-1/2 inches (318 mm) of open space from center of Washlet C100 |
| E | Maximum 8-1/2 inches (216 mm) from center to edge of bowl and flat bowl surface |